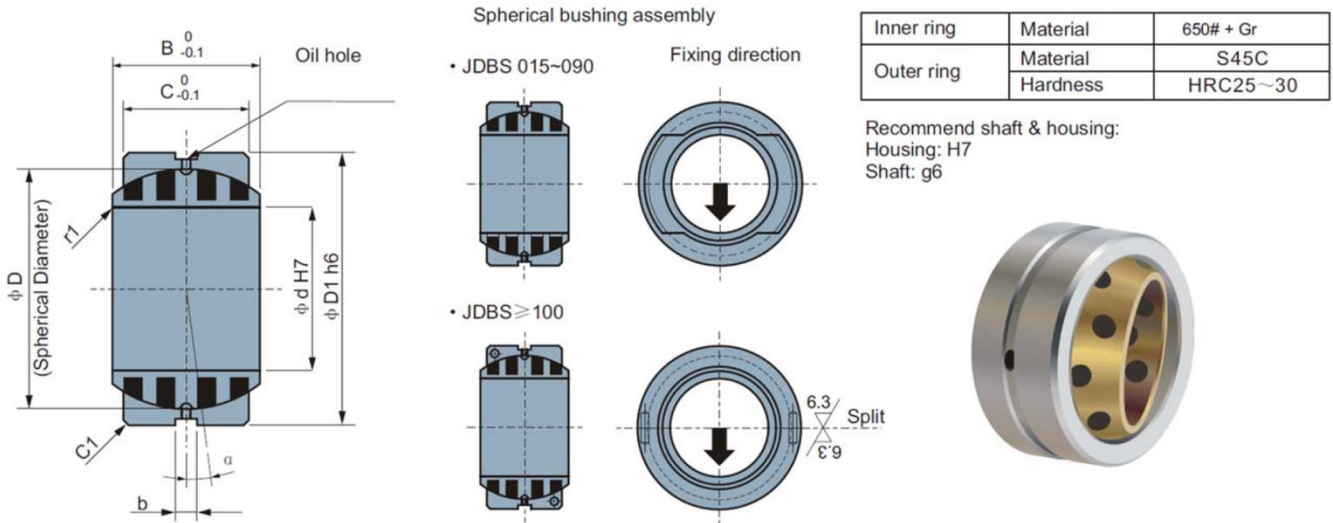


JDBS Metric Spherical Bushes



Standard No.	d	H7	D1	h6	B	C	D	b	Alignment Angle α°	Allowable Radial Load (kN)	Allowable Thrust Load (kN)	
JDBS-015	15	$^{+0.018}_0$	26	$^0_{-0.013}$	12	9	22	4	8	6.5	0.5	
JDBS-020	20	$^{+0.021}_0$	32	$^0_{-0.016}$	16	14	28		4	4	12.6	1.4
JDBS-025	25		42		21	18	36		5	5	21.8	2.5
JDBS-030	30	$^{+0.025}_0$	50	$^0_{-0.019}$	27	23	44		6	6	32.0	3.5
JDBS-035	35		55		30	26	49		5	5	43.7	4.8
JDBS-040	40		62		33	28	55		6	6	54.7	5.7
JDBS-045	45		72		36	31	62		5	5	69.7	7.2
JDBS-050	50	$^{+0.030}_0$	80	$^0_{-0.022}$	42	36	70		10	5	92.4	10
JDBS-060	60		100		53	45	90		6	6	143	16
JDBS-070	70	$^{+0.035}_0$	110	$^0_{-0.025}$	58	50	99		20	5	181	20
JDBS-080	80		130		70	60	115		30	6	254	30
JDBS-090	90		140		76	65	125		36	6	313	36
JDBS-100	100	$^{+0.040}_0$	160	$^0_{-0.029}$	88	75	145		64	5	544	64
JDBS-110	110		170		93	80	155		73	5	642	73
JDBS-120	120		190		105	90	170		94	6	797	94
JDBS-130	130		200		110	95	180		105	5	880	105
JDBS-140	140	$^{+0.046}_0$	210	$^0_{-0.032}$	90	70	180	56	7	668	56	
JDBS-150	150		220		120	105	200	129	5	1135	129	
JDBS-160	160	$^{+0.052}_0$	230	$^0_{-0.036}$	105	80	200	73	8	891	73	
JDBS-180	180		260		105	80	225	74	6	1002	74	
JDBS-200	200		290		130	100	250	117	7	1434	117	
JDBS-220	220	$^{+0.052}_0$	320	$^0_{-0.040}$	135	100	275	118	8	1577	118	
JDBS-240	240		340		140	100	300	118	8	1720	118	
JDBS-260	260	$^{+0.052}_0$	370	$^0_{-0.040}$	150	110	325	143	7	2072	143	
JDBS-280	280		400		155	120	350	172	6	2455	172	
JDBS-300	300		430		165	120	375	172	7	2630	172	

Unit [mm]

Disclaimer

This technical publication has been edited with great care and all information has been checked for accuracy. However, no liability can be assumed for any incorrect or incomplete information. The information given in the document is intended to help assessing the suitability for use of the material. The figures are based on information provided by the material manufacturer and by generally accessible publications. They do not represent any guarantee of properties. In each individual case the products require application-specific testing by the user. Modifications and further developments are - without prior notice - always reserved, as is the adapt to changing standards, norms and guidelines.